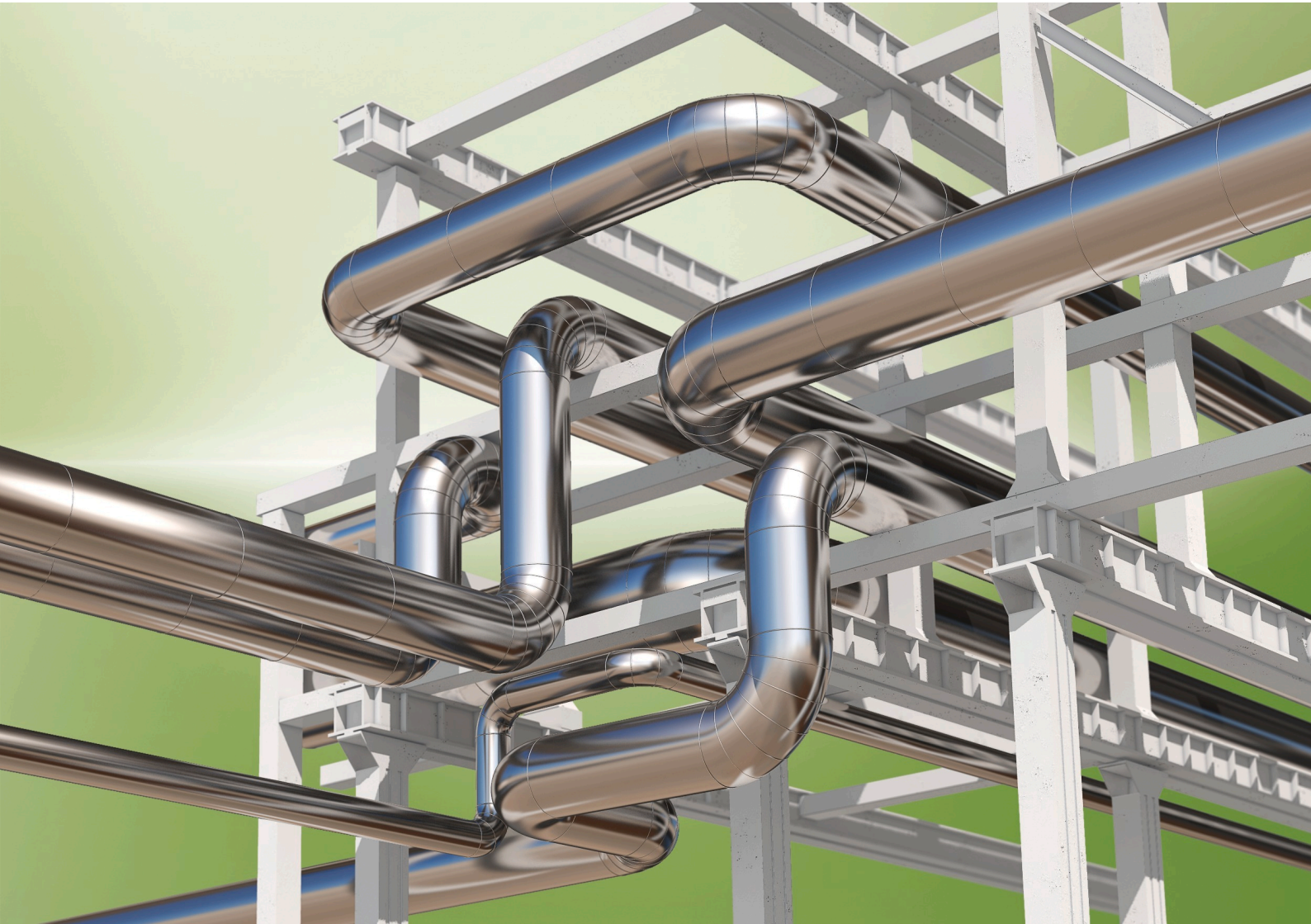


Okabell®

HIGH-QUALITY METAL CLADDING



- Long-life outdoor applications due to corrosion resistance
- Customized production with different types of metal and thicknesses
- Protects insulated pipes against mechanical impact
- Made in Germany

Technical Data - Okabell

Brief description	Jacket-system for the professional. Smooth surface, suitable for outside application.
Material type	Aluminium saltwater-proof, with / without Eloxal. Aluzinc 185 with protective varnish sealing. Hot-dip galvanized steel sheets, zinc coat on both sides 275 g/m ² , with protective varnish sealing.
Material Special Information	Quality: EN AW 5049 (Al Mg 2 Mn 0,8). Quality: DX51D + Aluzinc 185. Quality: DX51D + Z275-MA + SLV
Product Range	Pipes, segment bends, flange and fitting caps, trunk caps, connection pieces, front slices
Applications	Jacket for insulated pipes (incl. bends, fittings, flanges, etc.) to protect against mechanical stress. Particularly suitable for outdoor applications.
Manufacturing	Industrial series production.
Remarks	Bends and pipes with double-sided corrugations.

Property	Value/Assessment	Special Remark
Temperature Range		
Temperature Range	max. service temperature + 250 °C (Aluminium, Aluzinc) + 320 °C (Hot dip)	
	min. service temperature -196 °C	
Water vapour diffusion resistance		
Water vapour diffusion resistance	Virtually vapour-tight	VDI 2055
Fire performance		
Reaction to fire	Non combustible A1	DIN 4102
Other technical features		
Tolerances	Thickness: According to DIN EN 485-4 (Aluminium) According to DIN EN 10143 (Aluzinc, Hot dip)	
Material thickness	0,5 mm - 1,0 mm (Aluminium, Aluzinc) 0,4 mm - 1,0 mm (Hot dip)	
Biological / chemical behaviour	Very good resistance to sea-water, salty air and in industrial environments. (Aluminium) Very good resistance in usual applications and in industrial environments (Aluzinc). Very good resistance in usual applications (Hot dip)	
Mass per unit area	1350 - 2700 g/m ² (Aluminium) 3925 - 7850 g/m ² (Aluzinc) 3140 - 7850 g/m ² (Hot dip)	
Structure	Smooth	

All data and technical information are based on results achieved under typical application conditions. Recipients of this information should, in their own interest and responsibility, clarify with us in due time whether or not the data and information apply to the intended application area.

Okabell jacketing - galvanised steel



with protective vanish sealing

Outer- Ø [mm]	Thickness [mm]	Bend radius [mm]	Jacket		Bend	
			Code	Pcs./package	Code	Pcs./package
70	0.5	55	BRL7004	270	BBL7005	24
80	0.5	60	BRL8004	288	BBL8005	30
90	0.5	65	BRL9004	280	BBL9005	24
100	0.5	75	BRL10004	240	BBL10005	24
110	0.5	80	BRL11005	210	BBL11005	24
120	0.5	85	BRL12005	180	BBL12005	24
130	0.6	85	BRL13005	150	BBL13006	20
140	0.6	95	BRL14005	125	BBL14006	20
150	0.6	100	BRL15005	125	BBL15006	20
160	0.6	105	BRL16006	100	BBL16006	16
170	0.6	110	BRL17006	100	BBL17006	24
180	0.6	115	BRL18006	80	BBL18006	17
190	0.6	120	BRL19006	80	BBL19006	14
200	0.6	125	BRL20006	60	BBL20006	12
210	0.6	130	BRL21006	60	BBL21006	16
220	0.6	135	BRL22006	60	BBL22006	14
230	0.6	140	BRL23006	75	BBL23006	13
240	0.6	145	BRL24006	70	BBL24006	12
250	0.6	155	BRL25006	65	BBL25006	12
260	0.7	160	BRL26007	60	BBL26007	12
270	0.7	170	BRL27007	55	BBL27007	11
280	0.7	175	BRL28007	55	BBL28007	10
290	0.7	180	BRL29007	40	BBL29007	10
300	0.7	185	BRL30007	40	BBL30007	9
310	0.7	190	BRL31007	40	BBL31007	8
320	0.7	190	BRL32007	35	BBL32007	8
330	0.7	195	BRL33007	35	BBL33007	7
340	0.7	200	BRL34007	30	BBL34007	6
350	0.7	210	BRL35007	30	BBL35007	6
360	0.7	215	BRL36007	30	BBL36007	6
370	0.7	230	BRL37007	30	BBL37007	5
380	0.7	270	BRL38007	30	BBL38007	5
390	0.7	270	BRL39007	30	BBL39007 •	-
400	0.7	300	BRL40007	25	BBL40007 •	-
410	0.7	305	BRL41007	25	BBL41007 •	-
420	0.7	305	BRL42007	20	BBL42007 •	-
430	0.7	310	BRL43007	20	BBL43007 •	-
440	0.7	320	BRL44007 •	15	BBL44007 •	-
450	0.7	330	BRL45007 •	15	BBL45007 •	-
460	0.7	340	BRL46007 •	15	BBL46007 •	-
470	0.7	360	BRL47007 •	15	BBL47007 •	-
480	0.7	380	BRL48007 •	15	BBL48007 •	-

Okabell jacketing - galvanised steel



with protective vanish sealing

Outer- Ø [mm]	Thickness [mm]	Bend radius [mm]	Front slice		Nozzle	
			Code	Pcs./package	Code	Pcs./package
70	0.5	-	BEL7005	120	BSL7070	18
80	0.5	-	BEL8005	120	BSL8080	24
90	0.5	-	BEL9005	120	BSL9090	30
100	0.5	-	BEL10005	120	BSL100100	24
110	0.5	-	BEL11005	100	BSL110110	21
120	0.5	-	BEL12005	100	BSL120120	21
130	0.6	-	BEL13006	60	BSL130130	15
140	0.6	-	BEL14006	60	BSL140140	15
150	0.6	-	BEL15006	60	BSL150150	21
160	0.6	-	BEL16006	60	BSL160160	15
170	0.6	-	BEL17006	50	BSL170170	15
180	0.6	-	BEL18006	50	BSL180180	15
190	0.6	-	BEL19006	50	BSL190190	15
200	0.6	-	BEL20006	60	BSL200200	15
210	0.6	-	BEL21006	60	BSL210210	15
220	0.6	-	BEL22006	60	BSL220220	15
230	0.6	-	BEL23006	50	BSL230230	15
240	0.6	-	BEL24006	50	BSL240240 ●	15
250	0.6	-	BEL25006	40	BSL250250	15
260	0.7	-	BEL26007	40	BSL260260 ●	9
270	0.7	-	BEL27007	40	BSL270270 ●	9
280	0.7	-	BEL28007	40	BSL280280 ●	9
290	0.7	-	BEL29007	30	BSL290290 ●	9
300	0.7	-	BEL30007	30	BSL300300 ●	9
310	0.7	-	BEL31007	30	BSL310310 ●	-
320	0.7	-	BEL32007	30	BSL320320 ●	-
330	0.7	-	BEL33007	30	BSL330330 ●	-
340	0.7	-	BEL34007	30	BSL340340 ●	-
350	0.7	-	BEL35007	30	BSL350350 ●	-
360	0.7	-	BEL36007	30	BSL360360 ●	-
370	0.7	-	BEL37007	-	BSL370370 ●	-
380	0.7	-	BEL38007	-	BSL380380 ●	-
390	0.7	-	BEL39007 ●	-	BSL390390 ●	-
400	0.7	-	BEL40007 ●	-	BSL400400 ●	-
410	0.7	-	BEL41007 ●	-	BSL410410 ●	-
420	0.7	-	BEL42007 ●	-	BSL420420 ●	-
430	0.7	-	BEL43007 ●	-	BSL430430 ●	-
440	0.7	-	BEL44007 ●	-	BSL440440 ●	-
450	0.7	-	BEL45007 ●	-	BSL450450 ●	-
460	0.7	-	BEL46007 ●	-	BSL460460 ●	-
470	0.7	-	BEL47007 ●	-	BSL470470 ●	-
480	0.7	-	BEL48007 ●	-	BSL480480 ●	-

Remark

If not ordered differently we will supply above mentioned standard version. Other dimensions, types, materials and packaging units on request.

Metal thickness according to DIN4140 for Okabell systems with mechanical impact can be delivered on request.

Insulation Thickness

The material thickness may deviate.

Technical properties

Jacket length 1000 mm

● Item not in stock. Delivery on request. [MTO]

Okabell Caps galvanized steel with protective varnish sealing



Complete with holding and release handle closure without insulation layers

Reference dimension ⁽¹⁾ D + T cm	Flange caps				Trunk caps				Fitting caps			
	Code BFL-D..-L... reference dim. = 2 x D				Code BKL-(D+T)..-L... reference dim. = D + T				Code BAL-(D+T)..-L... reference dim. = D + T			
	length L up to ...				length L up to ...				length L up to ...			
	30 cm	50 cm	75 cm	98 cm	30 cm	50 cm	75 cm	98 cm	30 cm	50 cm	75 cm	98 cm
28												
30	x	x	x	x								
32	x	x	x	x	x	x	x	x				
34	x	x	x	x					x	x	x	x
35					x	x	x	x				
36	x	x	x	x								
38					x	x	x	x	x	x	x	x
40	x	x	x	x								
41					x	x	x	x	x	x	x	x
42	x	x	x	x								
43									x	x	x	x
44	x	x	x	x	x	x	x	x				
46	x	x	x	x					x	x	x	x
47					x	x	x	x				
48	x	x	x	x					x	x	x	x
50	x	x	x	x	x	x	x	x	x	x	x	x
52									x	x	x	x
54	x	x	x	x	x	x	x	x	x	x	x	x
57									x	x	x	x
58	x	x	x	x	x	x	x	x				
60	x	x	x	x					x	x	x	x
62					x	x	x	x				
64	x	x	x	x					x	x	x	x
66					x	x	x	x				
68									x	x	x	x
70	x	x	x	x	x	x	x	x				
72	x	x	x	x					x	x	x	x
75					x	x	x	x				
76									x	x	x	x
80	x	x	x	x	x	x	x	x	x	x	x	x
82	x	x	x	x								
84	x	x	x	x								
85					x	x	x	x	x	x	x	x
90	x	x	x	x	x	x	x	x	x	x	x	x
94	x	x	x	x								
95					x	x	x	x	x	x	x	x
96	x	x	x	x								
100	x	x	x	x								
102									x	x	x	x
106					x	x	x	x				

⁽¹⁾Reference dimension (= D + T): In the case of intermediate sizes the next larger reference dimension is consulted when calculating the selling price.

Okabell jacketing - aluminium seawater-resistant



Outer- Ø [mm]	Thickness [mm]	Bend radius [mm]	Jacket		Bend	
			Code	Pcs./package	Code	Pcs./package
70	0.5	55	BRS7005	48	BBS7005	24
80	0.5	60	BRS8005	64	BBS8005	30
90	0.5	65	BRS9005	60	BBS9005	24
100	0.5	75	BRS10005	45	BBS10005	24
110	0.5	80	BRS11005	45	BBS11005	24
120	0.5	85	BRS12005	30	BBS12005	24
130	0.6	85	BRS13006	25	BBS13006	20
140	0.6	95	BRS14006	25	BBS14006	20
150	0.6	100	BRS15006	25	BBS15006	20
160	0.6	105	BRS16006	20	BBS16006	16
170	0.6	110	BRS17006	20	BBS17006	24
180	0.6	115	BRS18006	20	BBS18006	17
190	0.6	120	BRS19006	20	BBS19006	14
200	0.6	125	BRS20006	20	BBS20006	12
210	0.6	130	BRS21006	20	BBS21006	16
220	0.6	135	BRS22006	15	BBS22006	14
230	0.6	140	BRS23006	15	BBS23006	13
240	0.6	145	BRS24006	15	BBS24006	12
250	0.6	155	BRS25006	110	BBS25006	12
260	0.8	160	BRS26008	110	BBS26008	12
270	0.8	170	BRS27008	80	BBS27008	11
280	0.8	175	BRS28008	80	BBS28008	10
290	0.8	180	BRS29008	80	BBS29008	10
300	0.8	185	BRS30008	80	BBS30008	9
310	0.8	190	BRS31008	60	BBS31008	8
320	0.8	190	BRS32008	60	BBS32008	8
330	0.8	195	BRS33008 •	60	BBS33008 •	7
340	0.8	200	BRS34008 •	60	BBS34008 •	6
350	0.8	210	BRS35008 •	60	BBS35008 •	6
360	0.8	215	BRS36008 •	60	BBS36008 •	6
370	0.8	230	BRS37008 •	60	-	-
380	0.8	270	BRS38008 •	50	BBS38008 •	5
390	0.8	270	BRS39008 •	50	BBS39008 •	-
400	0.8	300	BRS40008 •	40	BBS40008 •	-
410	0.8	305	BRS41008 •	40	BBS41008 •	-
420	0.8	305	BRS42008 •	40	BBS42008 •	-
430	0.8	310	BRS43008 •	40	BBS43008 •	-
440	0.8	320	BRS44008 •	30	BBS44008 •	-
450	0.8	330	BRS45008 •	30	BBS45008 •	-
460	0.8	340	BRS46008 •	30	BBS46008 •	-
470	0.8	360	BRS47008 •	30	BBS47008 •	-
480	0.8	380	BRS48008 •	20	BBS48008 •	-

Okabell jacketing - aluminium seawater-resistant



Outer- Ø [mm]	Thickness [mm]	Bend radius [mm]	Front slice		Nozzle	
			Code	Pcs./package	Code	Pcs./package
70	0.5	-	BES7006	120	BSS7070 ●	18
80	0.5	-	BES8006	120	BSS8080 ●	24
90	0.5	-	BES9006	120	BSS9090 ●	30
100	0.5	-	BES10006	120	BSS100100 ●	24
110	0.5	-	BES11006	100	BSS110110 ●	21
120	0.5	-	BES12006	100	BSS120120 ●	21
130	0.6	-	BES13006	60	BSS130130 ●	15
140	0.6	-	BES14006	60	BSS140140 ●	15
150	0.6	-	BES15006	60	BSS150150 ●	21
160	0.6	-	BES16006	60	BSS160160 ●	15
170	0.6	-	BES17006	50	BSS170170 ●	15
180	0.6	-	BES18006	50	BSS180180 ●	15
190	0.6	-	BES19006	50	BSS190190 ●	15
200	0.6	-	BES20006	60	BSS200200 ●	15
210	0.6	-	BES21006	60	BSS210210 ●	15
220	0.6	-	BES22006	60	BSS220220 ●	15
230	0.6	-	BES23006 ●	50	BSS230230 ●	15
240	0.6	-	BES24006 ●	50	BSS240240 ●	15
250	0.6	-	BES25008 ●	40	BSS250250 ●	15
260	0.8	-	BES26008 ●	40	BSS260260 ●	9
270	0.8	-	BES27008 ●	40	BSS270270 ●	9
280	0.8	-	BES28008 ●	40	BSS280280 ●	9
290	0.8	-	BES29008 ●	30	-	-
300	0.8	-	BES30008 ●	30	-	-
310	0.8	-	BES31008 ●	30	BSS310310 ●	-
320	0.8	-	BES32008 ●	30	BSS320320 ●	-
330	0.8	-	BES33008 ●	30	BSS330330 ●	-
340	0.8	-	BES34008 ●	30	BSS340340 ●	-
350	0.8	-	BES35008 ●	30	BSS350350 ●	-
360	0.8	-	BES36008 ●	30	BSS360360 ●	-
370	0.8	-	BES37008 ●	-	BSS370370 ●	-
380	0.8	-	BES38008 ●	-	BSS380380 ●	-
390	0.8	-	BES39008 ●	-	BSS390390 ●	-
400	0.8	-	BES40008 ●	-	BSS400400 ●	-
410	0.8	-	BES41008 ●	-	BSS410410 ●	-
420	0.8	-	BES42008 ●	-	BSS420420 ●	-
430	0.8	-	BES43008 ●	-	BSS430430 ●	-
440	0.8	-	BES44008 ●	-	BSS440440 ●	-
450	0.8	-	BES45008 ●	-	BSS450450 ●	-
460	0.8	-	BES46008 ●	-	BSS460460 ●	-
470	0.8	-	BES47008 ●	-	BSS470470 ●	-
480	0.8	-	BES48008 ●	-	BSS480480 ●	-

Remark

If not ordered differently we will supply above mentioned standard version. Other dimensions, types, materials and packaging units on request.

Metal thickness according to DIN4140 for Okabell systems with mechanical impact can be delivered on request.

Insulation Thickness

The material thickness may deviate.

Technical properties

Jacket length 1000 mm

- Item not in stock. Delivery on request. [MTO]

Okabell Caps aluminium seawater resistant



Complete with holding and release handle closure without insulation layers

Reference dimension ⁽¹⁾ D + T cm	Flange caps				Trunk caps				Fitting caps			
	Code BFS-D...-L... reference dim. = 2 x D				Code BKS-(D+T)...-L... reference dim. = D + T				Code BAS-(D+T)...-L... reference dim. = D + T			
	length L up to ...				length L up to ...				length L up to ...			
	30 cm	50 cm	75 cm	98 cm	30 cm	50 cm	75 cm	98 cm	30 cm	50 cm	75 cm	98 cm
28												
30	x	x	x	x								
32	x	x	x	x	x	x	x	x				
34	x	x	x	x					x	x	x	x
35					x	x	x	x				
36	x	x	x	x								
38					x	x	x	x	x	x	x	x
40	x	x	x	x								
41					x	x	x	x	x	x	x	x
42	x	x	x	x								
43									x	x	x	x
44	x	x	x	x	x	x	x	x				
46	x	x	x	x					x	x	x	x
47					x	x	x	x				
48	x	x	x	x					x	x	x	x
50	x	x	x	x	x	x	x	x	x	x	x	x
52									x	x	x	x
54	x	x	x	x	x	x	x	x	x	x	x	x
57									x	x	x	x
58	x	x	x	x	x	x	x	x				
60	x	x	x	x					x	x	x	x
62					x	x	x	x				
64	x	x	x	x					x	x	x	x
66					x	x	x	x				
68									x	x	x	x
70	x	x	x	x	x	x	x	x				
72	x	x	x	x					x	x	x	x
75					x	x	x	x				
76									x	x	x	x
80	x	x	x	x	x	x	x	x	x	x	x	x
82	x	x	x	x								
84	x	x	x	x								
85					x	x	x	x	x	x	x	x
90	x	x	x	x	x	x	x	x	x	x	x	x
94	x	x	x	x								
95					x	x	x	x	x	x	x	x
96	x	x	x	x								
100	x	x	x	x								
102									x	x	x	x
106					x	x	x	x				

⁽¹⁾Reference dimension (= D + T): In the case of intermediate sizes the next larger reference dimension is consulted when calculating the selling price.

Okabell jacketing - aluminium eloxal seawater-resistant



Outer- Ø [mm]	Thickness [mm]	Bend radius [mm]	Jacket		Bend	
			Code	Pcs./package	Code	Pcs./package
70	0.5	55	BRM7005	48	BBM7005	24
80	0.5	60	BRM8005	64	BBM8005	30
90	0.5	65	BRM9005	60	BBM9005	24
100	0.5	75	BRM10005	45	BBM10005	24
110	0.5	80	BRM11005	45	BBM11005	24
120	0.5	85	BRM12005	30	BBM12005	24
130	0.6	85	BRM13006	25	BBM13006	20
140	0.6	95	BRM14006	25	BBM14006	20
150	0.6	100	BRM15006	25	BBM15006	20
160	0.6	105	BRM16006	20	BBM16006	16
170	0.6	110	BRM17006	20	BBM17006	24
180	0.6	115	BRM18006	20	BBM18006	17
190	0.6	120	BRM19006	20	BBM19006	14
200	0.6	125	BRM20006	20	BBM20006	12
210	0.6	130	BRM21006	20	BBM21006	16
220	0.6	135	BRM22006	15	BBM22006	14
230	0.6	140	BRM23006	15	BBM23006 •	13
240	0.6	145	BRM24006	15	BBM24006 •	12
250	0.6	155	BRM25006	110	BBM25006 •	12
260	0.8	160	BRM26008	110	BBM26008 •	12
270	0.8	170	BRM27008	80	BBM27008 •	11
280	0.8	175	BRM28008	80	BBM28008 •	10
290	0.8	180	BRM29008	80	BBM29008 •	10
300	0.8	185	BRM30008	80	BBM30008 •	9
310	0.8	190	BRM31008	60	BBM31008 •	8
320	0.8	190	BRM32008	60	BBM32008 •	8
330	0.8	195	BRM33008 •	60	BBM33008 •	7
340	0.8	200	BRM34008 •	60	BBM34008 •	6
350	0.8	210	BRM35008 •	60	BBM35008 •	6
360	0.8	215	BRM36008 •	60	BBM36008 •	6
370	0.8	230	BRM37008 •	60	BBM37008 •	5
380	0.8	270	BRM38008 •	50	BBM38008 •	5
390	0.8	270	BRM39008 •	50	BBM39008 •	-
400	0.8	300	BRM40008 •	40	BBM40008 •	-
410	0.8	305	BRM41008 •	40	BBM41008 •	-
420	0.8	305	BRM42008 •	40	BBM42008 •	-
430	0.8	310	BRM43008 •	40	BBM43008 •	-
440	0.8	320	BRM44008 •	30	BBM44008 •	-
450	0.8	330	BRM45008 •	30	BBM45008 •	-
460	0.8	340	BRM46008 •	30	BBM46008 •	-
470	0.8	360	BRM47008 •	30	BBM47008 •	-
480	0.8	380	BRM48008 •	20	BBM48008 •	-

Okabell jacketing - aluminium eloxal seawater-resistant



Outer- Ø [mm]	Thickness [mm]	Bend radius [mm]	Front slice		Nozzle	
			Code	Pcs./package	Code	Pcs./package
70	0.5	-	BEM7006 ●	120	BSM7070 ●	18
80	0.5	-	BEM8006	120	BSM8080 ●	24
90	0.5	-	BEM9006	120	BSM9090 ●	30
100	0.5	-	BEM10006	120	BSM100100 ●	24
110	0.5	-	BEM11006	100	BSM110110 ●	21
120	0.5	-	BEM12006	100	BSM120120 ●	21
130	0.6	-	BEM13006	60	BSM130130 ●	15
140	0.6	-	BEM14006 ●	60	BSM140140 ●	15
150	0.6	-	BEM15006 ●	60	BSM150150 ●	21
160	0.6	-	BEM16006 ●	60	BSM160160 ●	15
170	0.6	-	BEM17006 ●	50	BSM170170 ●	15
180	0.6	-	BEM18006 ●	50	BSM180180 ●	15
190	0.6	-	BEM19006 ●	50	BSM190190 ●	15
200	0.6	-	BEM20006 ●	60	BSM200200 ●	15
210	0.6	-	BEM21006 ●	60	BSM210210 ●	15
220	0.6	-	BEM22006 ●	60	BSM220220 ●	15
230	0.6	-	BEM23006 ●	50	BSM230230 ●	15
240	0.6	-	BEM24006 ●	50	BSM240240 ●	15
250	0.6	-	BEM25008 ●	40	BSM250250 ●	15
260	0.8	-	BEM26008 ●	40	BSM260260 ●	9
270	0.8	-	BEM27008 ●	40	BSM270270 ●	9
280	0.8	-	BEM28008 ●	40	BSM280280 ●	9
290	0.8	-	BEM29008 ●	30	BSM290290 ●	9
300	0.8	-	BEM30008 ●	30	BSM300300 ●	9
310	0.8	-	BEM31008 ●	30	BSM310310 ●	-
320	0.8	-	BEM32008 ●	30	BSM320320 ●	-
330	0.8	-	BEM33008 ●	30	BSM330330 ●	-
340	0.8	-	BEM34008 ●	30	BSM340340 ●	-
350	0.8	-	BEM35008 ●	30	BSM350350 ●	-
360	0.8	-	BEM36008 ●	30	BSM360360 ●	-
370	0.8	-	BEM37008 ●	-	BSM370370 ●	-
380	0.8	-	BEM38008 ●	-	BSM380380 ●	-
390	0.8	-	BEM39008 ●	-	BSM390390 ●	-
400	0.8	-	BEM40008 ●	-	BSM400400 ●	-
410	0.8	-	BEM41008 ●	-	BSM410410 ●	-
420	0.8	-	BEM42008 ●	-	BSM420420 ●	-
430	0.8	-	BEM43008 ●	-	BSM430430 ●	-
440	0.8	-	BEM44008 ●	-	BSM440440 ●	-
450	0.8	-	BEM45008 ●	-	BSM450450 ●	-
460	0.8	-	BEM46008 ●	-	BSM460460 ●	-
470	0.8	-	BEM47008 ●	-	BSM470470 ●	-
480	0.8	-	BEM48008 ●	-	BSM480480 ●	-

Remark

If not ordered differently we will supply above mentioned standard version. Other dimensions, types, materials and packaging units on request.

Metal thickness according to DIN4140 for Okabell systems with mechanical impact can be delivered on request.

Insulation Thickness

The material thickness may deviate.

Technical properties

Jacket length 1000 mm

- Item not in stock. Delivery on request. [MTO]

Okabell Caps aluminum eloxal seawater-resistant



Complete with holding and release handle closure without insulation layers

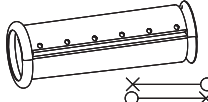
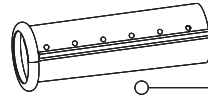
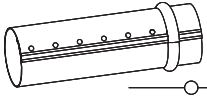
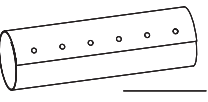
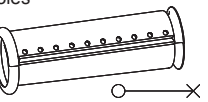
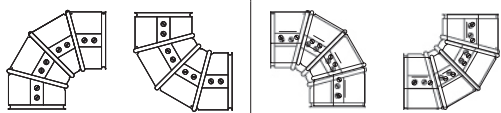
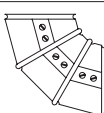
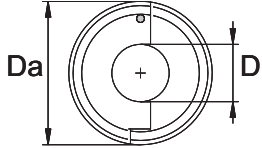
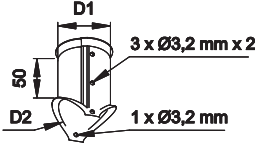
Reference dimension ⁽¹⁾ D + T cm	Flange caps				Trunk caps				Fitting Caps			
	Code BFM-D...-L... reference dim. = 2 x D				Code BKM-(D+T)...-L... reference dim. = D + T				Code BAM-(D+T)...-L... reference dim. = D + T			
	length L up to ...				length L up to ...				length L up to ...			
	30 cm	50 cm	75 cm	98 cm	30 cm	50 cm	75 cm	98 cm	30 cm	50 cm	75 cm	98 cm
28												
30	x	x	x	x								
32	x	x	x	x	x	x	x	x				
34	x	x	x	x					x	x	x	x
35					x	x	x	x				
36	x	x	x	x								
38					x	x	x	x	x	x	x	x
40	x	x	x	x								
41					x	x	x	x	x	x	x	x
42	x	x	x	x								
43									x	x	x	x
44	x	x	x	x	x	x	x	x				
46	x	x	x	x					x	x	x	x
47					x	x	x	x				
48	x	x	x	x					x	x	x	x
50	x	x	x	x	x	x	x	x	x	x	x	x
52									x	x	x	x
54	x	x	x	x	x	x	x	x	x	x	x	x
57									x	x	x	x
58	x	x	x	x	x	x	x	x				
60	x	x	x	x					x	x	x	x
62					x	x	x	x				
64	x	x	x	x					x	x	x	x
66					x	x	x	x				
68									x	x	x	x
70	x	x	x	x	x	x	x	x				
72	x	x	x	x					x	x	x	x
75					x	x	x	x				
76									x	x	x	x
80	x	x	x	x	x	x	x	x	x	x	x	x
82	x	x	x	x								
84	x	x	x	x								
85					x	x	x	x	x	x	x	x
90	x	x	x	x	x	x	x	x	x	x	x	x
94	x	x	x	x								
95					x	x	x	x	x	x	x	x
96	x	x	x	x								
100	x	x	x	x								
102									x	x	x	x
106					x	x	x	x				

⁽¹⁾Reference dimension (= D + T): In the case of intermediate sizes the next larger reference dimension is consulted when calculating the selling price.

Okabell Sheet metal jacket

Pipe- outer-Ø in mm	insulation thickness in mm							
	20	30	40	50	60	80	100	120
jacket- Ø in mm								
17	80	90	110	130	150	190	230	270
21	80	90	110	130	150	190	230	270
27	80	100	120	140	160	200	240	280
34	80	100	120	140	160	200	240	280
42	90	110	130	150	170	210	250	290
48	100	120	140	160	180	220	260	300
57/60	110	130	150	170	190	230	270	310
64	110	130	150	170	190	230	270	310
70	120	140	160	180	200	240	280	320
76	130	150	170	190	210	250	290	330
89	140	160	180	200	220	260	300	340
108	160	180	200	220	240	280	320	360
114	160	180	200	220	240	280	320	360
127	180	200	220	240	260	300	340	380
133	180	200	220	240	260	300	340	380
140	190	210	230	250	270	310	350	390
159	210	230	250	270	290	330	370	410
168	220	240	260	280	300	340	380	420
178	230	250	270	290	310	350	390	430
194	240	260	280	300	320	360	400	440
219	270	290	310	330	350	390	430	470
245	300	320	340	360	380	420	460	500
267	320	340	360	380	400	440	480	520
273	320	340	360	380	400	440	480	520
318	370	390	410	430	450	490	530	570
324	370	390	410	430	450	490	530	570
356	410	430	450	470	490	530	570	600
368	420	440	460	480	500	540	580	620

Okabell - technical explanations

Sheet-metal jacket				
<p>PNLR standard pos.-neg. corrugation, left-/ right increasing or falling</p> 	<p>PGR special pos. corrugation, right increasing or falling</p> 	<p>GP50R special corrugation 50 mm shifted, right increasing or falling</p> 	<p>GR special smooth, right increasing or falling</p> 	<p>PNR10 special pos.-neg. corrugation, right increasing or falling 10 holes</p> 
Sheet-metal blend				
(A) E1	(D) E4	(B) E2	(C) E3	Other dimesions, constructions and special materials on request.
				<p>Economy bend</p> 
Front slices			Sheet-metal connection piece	
				

This information refers to the following material types (standard qualities):

L = galvanized steel sheet + protective varnish sealing
Z = aluminium zinc 185

S = aluminium sea-water resistant ALMg2Mn0,8
M = aluminium sea-water resistant anodizing

Answer by fax +49 (0) 251 / 7603 - 267 (Armacell Customer-Service-Center)

Company: _____

 For the accuracy of the dimensions / signature: _____

order enquiry

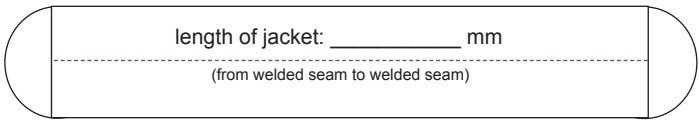
delivery address: _____

 delivery time: _____

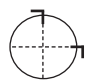
Vessel position:	Type of metal:	mat. thickness:
<input type="checkbox"/> standing <input type="checkbox"/> lying	<input type="checkbox"/> galvanized steel protective varnish sealing <input type="checkbox"/> alu, see-water resistant <input type="checkbox"/> _____	in mm: _____

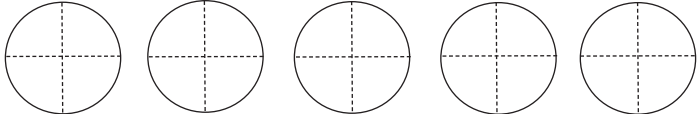
Vessel-Ø (without insulation):	Insulation thickness:	totally-Ø:	quantity:
_____ mm	_____ mm	_____ mm	_____ pc.

Vessel jacket:

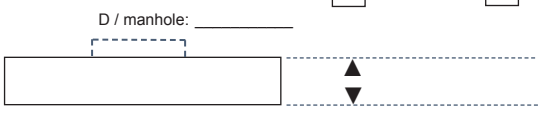
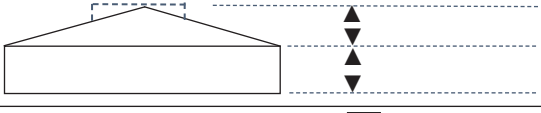
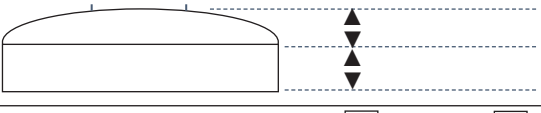
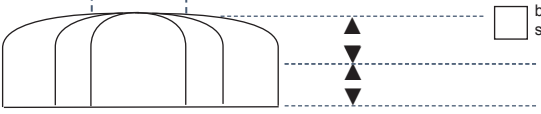
above / left ► 

length of jacket: _____ mm
 (from welded seam to welded seam)

Position of longitudinal seam:
 Example 



Overlap of round seam:	Overlap of longitudinal seam:
<input type="checkbox"/> standard <input type="checkbox"/> special dimension _____ mm	<input type="checkbox"/> standard <input type="checkbox"/> special dimension _____ mm

Vessel heads:			
Construction	Shape of head: all measurements in mm 1) incl. insulation: flat, funnel-shaped, calotte-shaped 2) excl. insulation: zeppelin-shaped	quantity per vessel	division segment
<input type="checkbox"/> overlapping standard <input type="checkbox"/> overlapping _____ mm	flat surface <input type="checkbox"/> looser cover <input type="checkbox"/> impact cap 		<input type="checkbox"/> standard
<input type="checkbox"/> overlapping standard <input type="checkbox"/> overlapping _____ mm	funnel-shaped D / manhole: _____ 		<input type="checkbox"/> standard
<input type="checkbox"/> overlapping standard <input type="checkbox"/> overlapping _____ mm	calotte-shaped D / manhole: _____ <input type="checkbox"/> D = standard 		<input type="checkbox"/> standard
corrugation on corrugation	zeppelin-shaped D / manhole: _____ <input type="checkbox"/> D=standard <input type="checkbox"/> torospherical  <input type="checkbox"/> basket-shaped		<input type="checkbox"/> standard

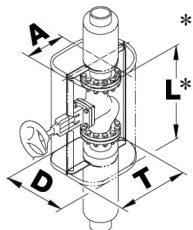
Answer by fax +49 (0) 251 / 7603 - 267 (Armacell Customer-Service-Center)

company: _____
 wholesaler: _____
 Kom / code: _____

order enquiry

delivery address: _____

delivery time: _____



BV: _____

- galvanized steel organment
- alu, sea-water resistant
- alu, sea-water resistant + protective varnish sealing=M
- alu zinc 185
- V2A
- _____
- corrugation
- adhesion
- mat. thickness DIN
- blunted
- _____

position no.:	pc.	design (form)	diameter D	depth / $T = A + D/2$	or overhang A	overall length L	other

Note: Overall length L=eff. length: between cover and cover / outside length + ca. 12 mm

