

ABSORPTION

SonoSorber SC – sound-absorbing screen



| SonoSorber SC | Coating | Printing | Dimensions |
|---------------|---------------|---------------------------|---|
| Type 1 | Fabric | Fabric in 29 colours | Length x width according to choice 58 mm thick |
| Type 2 | Textile cloth | Photo print or uni-colour | |

Product description SonoSorber SC type 1 is a sound-absorbing (desk) screen that is built from recycled cotton and framed with wood. It is covered with a fabric in one or two colours or with acoustic textile cloth including a photo print or uni-colour according to choice.
As a desk screen, it can be attached to desks in several manners.
As freestanding screen (room divider), it can be constructed including legs or wheels.

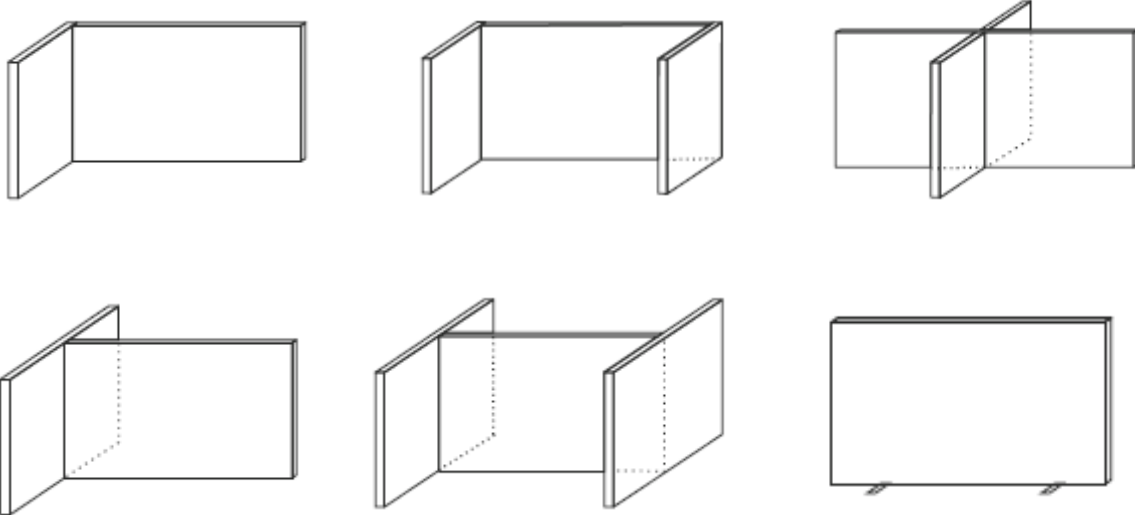
- Characteristics**
- Very good sound-absorbing characteristics
 - High quality fabric or textile cloth
 - Desk screens can be dismantled; they are completely stable and can be easily connected to each other (see below in Models)
 - Sound-absorbing recycled cotton does not irritate
 - Fire class of the acoustic textile cloth: DIN4102 class B1
 - Required photo resolution: minimum 75 dpi; photo delivery specifications can be requested

Mounting Easy to mount by a connection system, aluminium feet or clamps

Application Screening of direct sounds (most of the time, speech sounds) between workstations in offices and call centres

Models It is possible to deliver another colour per side (total of two colours) upon request.
SonoSorber SC type 1: maximum height of the fabric is 1400 mm. Higher panel measurements are possible using adjustable feet.
SonoSorber SC type 2: encased with an aluminium edge section in silver-grey (or another colour upon request).
Desk screen: a free space (20 mm) between the screen and the desk can be taken into account for cabling.

Possible arrangements of desk screens



SonoSorber SF – T-arrangement for desks



SonoSorber ST – Room divider

