



ORYX® Collar FX 330

Version 1.2, 01-05-2017 (English)

ORYX®, passion for passive fire protection

ORYX® is the specialist in passive fire protection for buildings. Thanks to our passionate expertise and extensive product range, ORYX® provides solutions for countless applications in the field of fire-resistant load-bearing structures, fire-resistant compartments and the creation of fire-resistant penetrations. All products and applications have a CE-label and were tested in line with European standards and can therefore be used right across Europe.

Our specialists are always ready to provide you with technical advice and support.

PRODUCT DESCRIPTION

ORYX® Collar FX 330 is a fire collar for creating fire-resistant penetrations in walls and floors. ORYX® Collar FX 330 fire collars comprise a moisture-resistant intumescent material surrounded by a stainless-steel casing. They are attached with a fastening around plastic pipes, insulated steel pipes or cables and screwed to the surface of the wall or floor. In the event of fire, they expand to fully seal the openings from fire, smoke and heat.

CHARACTERISTICS

- CE label for fire-resistant applications
- Tested constructions to fire-resistance performance EI 240 (EN 13501-2)
- Tested in countless constructions in line with European standard EN 1366-3
- Fitted quickly and easily
- Expands rapidly under heat
- Intumescent substrate is resistant to moisture and CO₂

APPLICATIONS

- Both horizontal and vertical
- For sealing penetrations in load-bearing walls and floors, as well as in lightweight partition walls
- Around penetrations of plastic pipes (PVC, PP, PE)
- Around penetrations of metal pipes with flammable insulation
- Around penetrations of electrical cables
- In combination with other ORYX® fire-resistant sealing products

FITTING GUIDELINES

- For surface-mounted applications, the surface around the pipes must be flat and free of obstructions
- Open the seal, fit the fire collar and secure the seal by folding it 180°
- Secure the collar to the surface using 50 mm x 8 mm metal screws (never use plastic fastening materials)



PACKAGING AND STORAGE

Keep dry and frost-free at temperatures between +5°C and +30°C

DIMENSIONS

Ø 40 x 30 H mm

Ø 55 x 30 H mm

Ø 60 x 30 H mm

Ø 65 x 30 H mm

Ø 75 x 30 H mm

Ø 82 x 30 H mm

Ø 90 x 30 H mm

Ø 110 x 30 H mm

Ø 125 x 45 H mm

Ø 140 x 45 H mm

Ø 160 x 45 H mm

LIMITATIONS

It is the user's responsibility to understand the usage guidelines.

SAFETY REQUIREMENTS

The product does not contain any substances classified in line with Directive 67/548/EEC and Regulation (EC) No. 1272/2008 as stated in the list of hazardous substances of the EGDS. For further information, please refer to the Safety Data Sheet.

DISCLAIMER

The content of this brochure has been compiled with the greatest possible care and is only intended for information purposes. The information contained herein does not constitute a partial or full guarantee or proposal for which we are liable. We reserve the right to change or alter product specifications.

All information about our products and applications can be found at www.oryx.pro



FITTING INSTRUCTIONS

ANNEX A, FIRE-RESISTANCE FOR PENETRATIONS

Characteristics of the product and references to the assessment methods

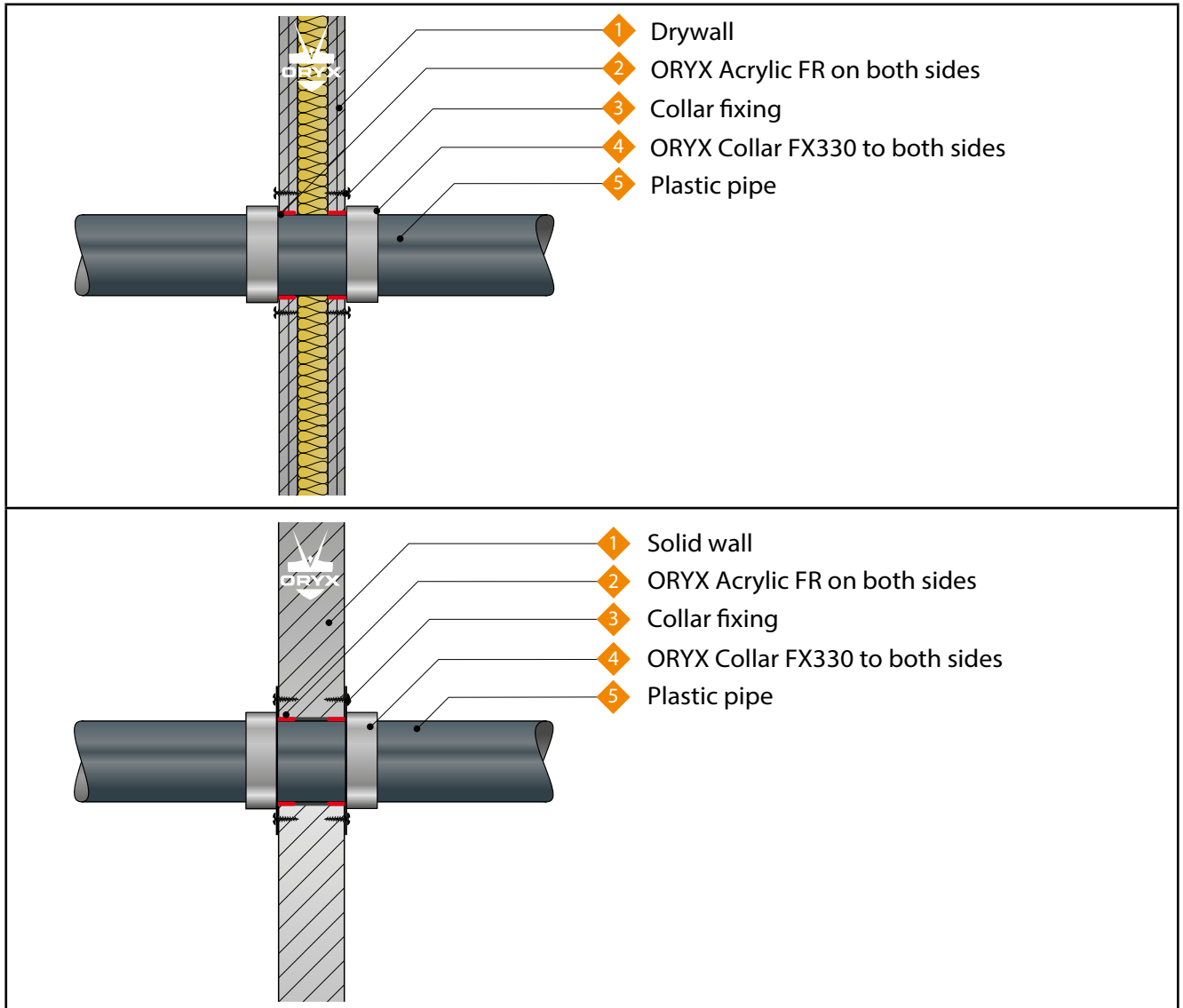
Product type: Pipe collar		Intended use: Penetration seal	
Minimum construction requirements	Basic requirements	Characteristics	
BWR 1 Mechanical resistance and stability			
-	None	Not relevant	
BWR 2 Safety in case of fire			
EN 13501-1	Reaction to fire	Class F	
EN 13501-2	Fire-resistance	Annex A	
BWR 3 Hygiene, health and environment			
EN 1026:2000	Air permeability (material characteristic)	No characteristic specified	
ETAG 026-2, Annex C	Water permeability (material characteristic)	No characteristic specified	
Manufacturer's declaration	Release of hazardous substances	Usage category: IA1, S/W3 Manufacturer's declaration	
BWR 4 Safety use			
EOTA TR 001:2003	Mechanical resistance and stability	No characteristic specified	
EOTA TR 001:2003	Resistance against denting/movement	No characteristic specified	
EOTA TR 001:2003	Gluing	No characteristic specified	
BWR 5 Noise protection			
EN 10140-2/ EN ISO 717-1	Airborne noise insulation	No characteristic specified	
BWR 6 Energy efficiency and thermal insulation			
EN 12664, EN 12667 or EN 12939	Thermal characteristics	No characteristic specified	
EN ISO 12572 EN 12086	Water-vapour permeability	No characteristic specified	
General aspects relating to use			
ETAG 026-2, Annex B, B.6.2	Durability and maintenance	Y ₂	
BWR 7 Sustainable use of natural resources			
-	-	No characteristic specified	

Product(s)	Intended use	Level(s) or class(es)	System
Fire-resistant sealing material	For fire compartmentalisation and/or fire safety or fire protection	All	1

A.1 Flexible or solid wall constructions with a wall thickness of at least 100 mm

A.1.1 Penetration seal in drywalls and concrete/brick walls

Penetration seal: Flammable pipes fitted with an ORYX® Collar FX330 on both sides of the wall



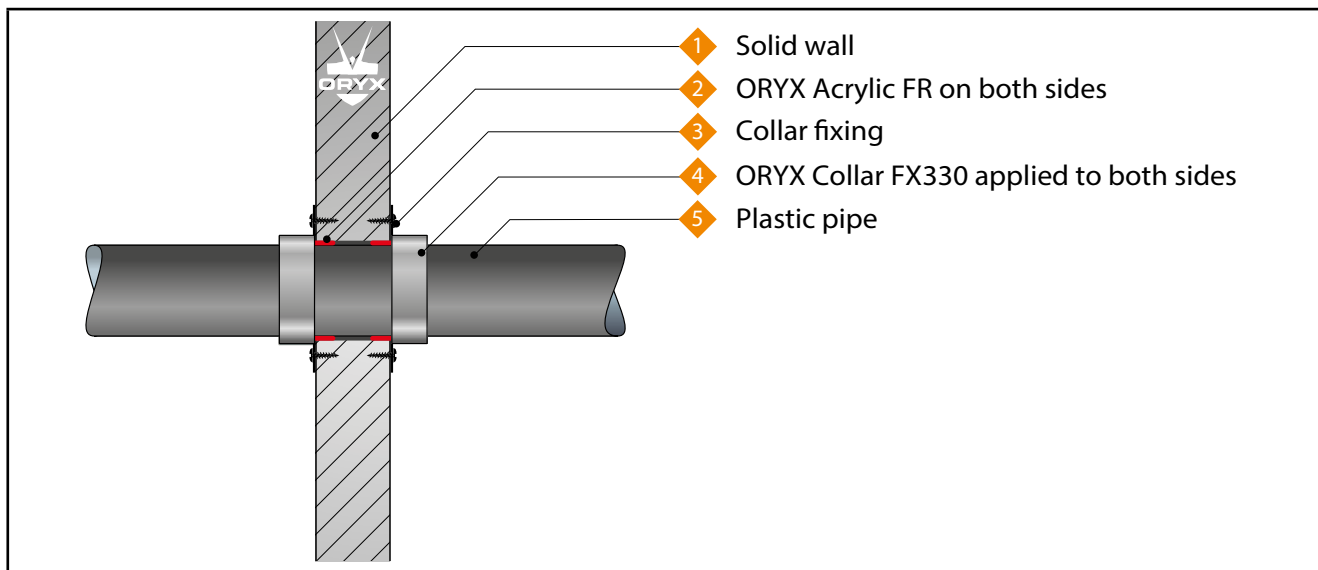


A.1.1.1

Penetrations	Collar dimensions (h x d)	Classification
PVC-U pipe in line with EN 1329-1, EN 1452-2 and EN 1453-1		
Diameter 40 mm, wall thickness 3 mm	30 x 6 mm	EI 120 U/U, EI 120 C/U, EI 120 U/C, EI 120 C/C
Diameter 55 mm, wall thickness 3.2 mm		E 120 U/U, E 120 C/U, E 120 U/C, E 120 C/C
Diameter 82 mm, wall thickness 3.2 mm		EI 60 U/U, EI 60 C/U, EI 60 U/C, EI 60 C/C
Diameter 110 mm, wall thickness 2.7 – 6.6 mm	30 x 10 mm	E 120 U/U, E 120 C/U, E 120 U/C, E 120 C/C EI 90 U/U, EI 90 C/U, EI 90 U/C, EI 90 C/C
Diameter 110 mm, wall thickness 9.5 mm	30 x 16 mm	EI 120 U/U, EI 120 C/U, EI 120 U/C, EI 120 C/C
Diameter 125 mm, wall thickness 9.5 mm		
Diameter 160 mm, wall thickness 9.5 mm		
Diameter 110 mm, wall thickness 4 – 9.5 mm		E 120 U/U, E 120 C/U, E 120 U/C, E 120 C/C EI 90 U/U, EI 90 C/U, EI 90 U/C, EI 90 C/C
Diameter 125 mm, wall thickness 4 – 9.5 mm		
Diameter 160 mm, wall thickness 4 – 9.5 mm		
PE pipe in line with EN 1519-1, EN 12201-2 and EN 12666-1, ABS pipe in line with EN 1455-1 and SAN+PVC pipe in line with EN 1565-1		
Diameter 40 mm, wall thickness 3.8 mm	30 x 6 mm	EI 120 U/U, EI 120 C/U, EI 120 U/C, EI 120 C/C
Diameter 50 mm, wall thickness 4.6 mm		EI 120 U/U, EI 120 C/U, EI 120 U/C, EI 120 C/C
Diameter 75 mm, wall thickness 6.8 mm		EI 90 U/U, EI 90 C/U, EI 90 U/C, EI 90 C/C
Diameter 90 mm, wall thickness 6.6 mm	30 x 10 mm	E 120 U/U, E 120 C/U, E 120 U/C, E 120 C/C EI 90 U/U, EI 90 C/U, EI 90 U/C, EI 90 C/C
Diameter 110 mm, wall thickness 6.6 mm		
Diameter 125 mm, wall thickness 14.6 mm	30 x 16 mm	EI 60 U/U, EI 60 C/U, EI 60 U/C, EI 60 C/C
Diameter 160 mm, wall thickness 14.6 mm		

A.2 Solid wall constructions with a wall thickness of at least 100 mm
A.2.1 Penetrations in solid walls

Penetration seal: Insulated metal and flammable pipes fitted with an ORYX® Collar FX330 collar on both sides of the wall

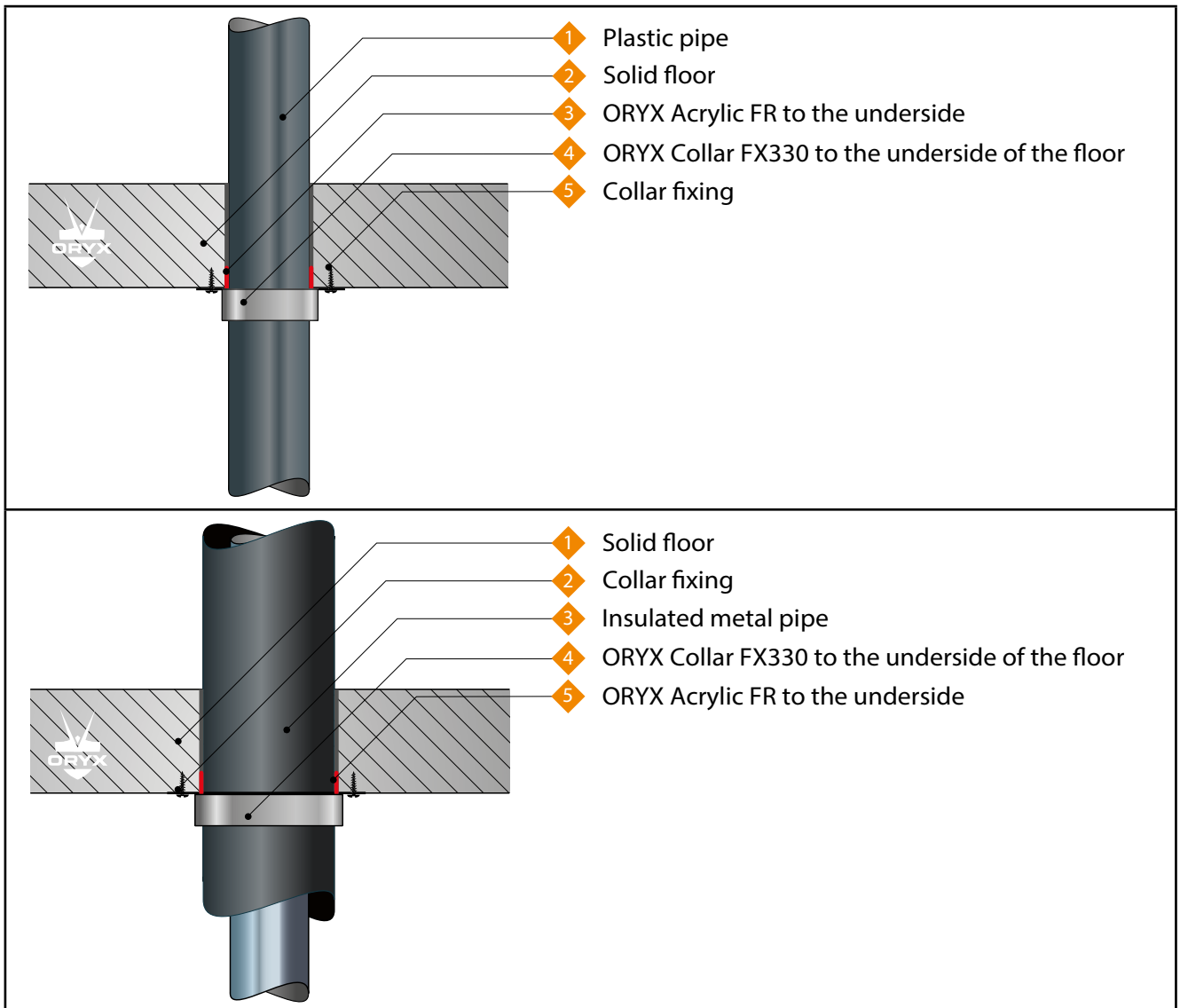

A.2.1.1

Penetrations	Collar dimensions (h x d)	Classification
PVC-U pipe in line with EN 1329-1, EN 1452-2 and EN 1453-1		
Diameter 110 mm, wall thickness 1.8 – 4.2 mm	30 x 10 mm	EI 240 U/U, EI 240 C/U, EI 240 U/C, EI 240 C/C
Diameter 125 mm, wall thickness 1.8 – 4.2 mm	45 x 16 mm	EI 240 U/U, EI 240 C/U, EI 240 U/C, EI 240 C/C
Diameter 160 mm, wall thickness 1.8 – 4.2 mm		
PE pipe in line with EN 1519-1, EN 12201-2 and EN 12666-1, ABS pipe in line with EN 1455-1 and SAN+PVC pipe in line with EN 1565-1		
Diameter 125 mm, wall thickness 1.8 – 4.2 mm	45 x 16 mm	EI 240 U/U, EI 240 C/U, EI 240 U/C, EI 240 C/C
Diameter 160 mm, wall thickness 6.2 mm		
BevEx Drinks Python		
Diameter 80 mm	30 x 6 mm	EI 240 U/U, EI 240 C/U, EI 240 U/C, EI 240 C/C
Steel pipe with continuous (CS) K-Flex-ST or Armaflex insulation		
Diameter 47.6 mm, wall thickness 1.5 – 14.2 mm with 13 mm insulation	30 x 6 mm	E 240 C/C, EI 180 C/C
Diameter 114.3 mm, wall thickness 2 – 14.2 mm with 19 mm insulation	45 x 16 mm	E 240 C/C, EI 120 C/C

A.3 Solid floor constructions with a wall thickness of at least 150 mm

A.3.1 Penetrations in concrete floors

Penetration seal: Insulated metal and flammable pipes fitted with an ORYX® Collar FX330 collar applied to the underside of the floor





A.3.1.1

Penetrations	Collar dimensions (h x d)	Classification
PVC-U pipe in line with EN 1329-1, EN 1452-2 and EN 1453-1		
Diameter 40 mm, wall thickness 3 mm	30 x 6 mm	EI 240 U/U, EI 240 C/U, EI 240 U/C, EI 240 C/C
Diameter 55 mm, wall thickness 3.2 mm		EI 120 U/U, EI 120 C/U, EI 120 U/C, EI 120 C/C
Diameter 82 mm, wall thickness 3.2 mm		EI 90 U/U, EI 90 C/U, EI 90 U/C, EI 90 C/C
Diameter 55 mm, wall thickness 3.5 mm		
Diameter 82 mm, wall thickness 3.5 mm		
Diameter 110 mm, wall thickness 1.8 mm	30 x 10 mm	EI 180 U/U, EI 180 C/U, EI 180 U/C, EI 180 C/C
Diameter 110 mm, wall thickness 1.8 – 10 mm		EI 120 U/U, EI 120 C/U, EI 120 U/C, EI 120 C/C
Diameter 125 mm, wall thickness 9.5 mm	30 x 16 mm	EI 90 U/U, EI 90 C/U, EI 90 U/C, EI 90 C/C
Diameter 160 mm, wall thickness 9.5 mm		
Diameter 125 mm, wall thickness 2.5 mm	45 x 16 mm	EI 180 U/U, EI 180 C/U, EI 180 U/C, EI 180 C/C
Diameter 160 mm, wall thickness 2.5 mm		
PE pipe in line with EN 1519-1, EN 12201-2 and EN 12666-1, ABS pipe in line with EN 1455-1 and SAN+PVC pipe in line with EN 1565-1		
Diameter 40 mm, wall thickness 3.7 mm	30 x 6 mm	EI 180 U/U, EI 180 C/U, EI 180 U/C, EI 180 C/C
Diameter 50 mm, wall thickness 11.6 mm		EI 120 U/U, EI 120 C/U, EI 120 U/C, EI 120 C/C
Diameter 90 mm, wall thickness 5.1 mm	30 x 10 mm	EI 180 U/U, EI 180 C/U, EI 180 U/C, EI 180 C/C
Diameter 110 mm, wall thickness 4.2 mm		
Diameter 110 mm, wall thickness 4.2 – 10 mm		
Diameter 125 mm, wall thickness 6.2 mm	45 x 16 mm	EI 120 U/U, EI 120 C/U, EI 120 U/C, EI 120 C/C
Diameter 160 mm, wall thickness 6.2 mm		
BevEx Drinks Python		
Diameter 80 mm	30 x 6 mm	EI 240 U/U, EI 240 C/U, EI 240 U/C, EI 240 C/C
Steel pipe with continuous (CS) K-Flex-ST or Armaflex insulation		
Diameter 114.3 mm, wall thickness 2 – 14.2 mm with 19 mm insulation	45 x 16 mm	EI 60 C/C
Diameter 47.6 mm, wall thickness 1.5 – 14.2 mm with 13 mm insulation	30 x 6 mm	EI 120 C/C